

# SOLIS

Architectural Electric heating

When *STYLE* matters...

## SCS

### Architectural baseboard heater



#### Construction:

Colours : White, epoxy/polyester powder paint.

Construction: 16 gauge

Protection against overheating.

Power: 500 Watts / foot.

Tension: 240, 347 and 600 volts.

**Element** : Stainless steel centre fixed tube with floating edges in a nylon sleeve to eliminate the noise of the expanding and contracting metal throughout the heating cycles.

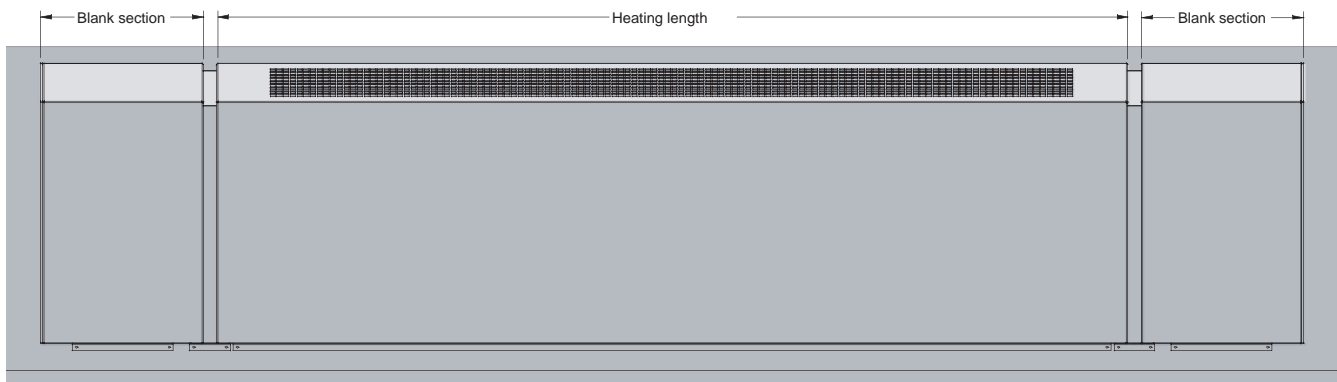
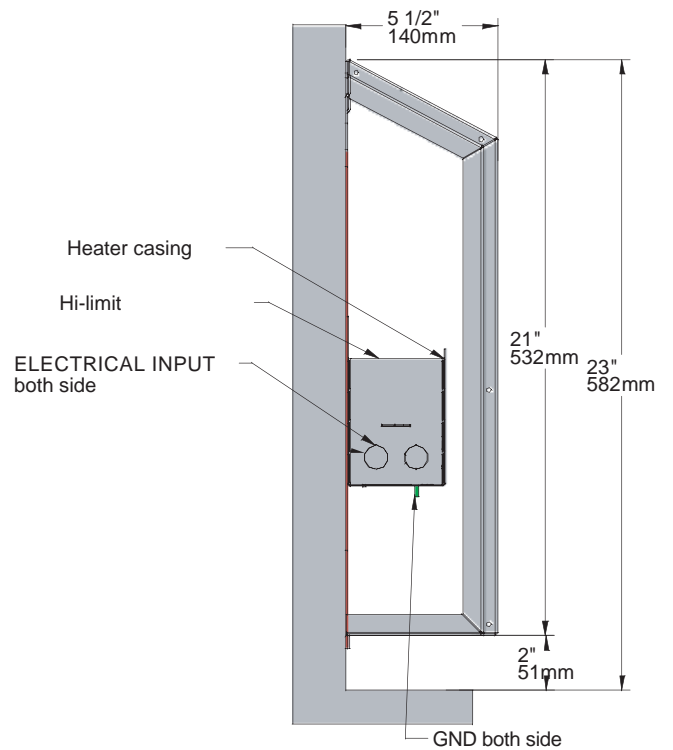
**Warranty** - 10 years warranty on the electric heating element

applies to the initial end user;

1 year on the other components.

Catalog no	Watts	Volts	Length	
			In	mm
SCS-1.2kw-347v	1200	347	24	609.6
SCS-1.8kw-347v	1800	347	36	914.4
SCS-3kw-347v	3000	347	59	1498.6
SCS-3kw-347v**	3000	347	59	1498.6
SCS-1.2kw-347v**	1200	347	24	609.6
SCS-1.8kw-347v**	1800	347	36	914.4
SCS-2.4kw-347v**	2400	347	47	1193.8

\*\* with blank section



Certifié par:

**Intertek**